

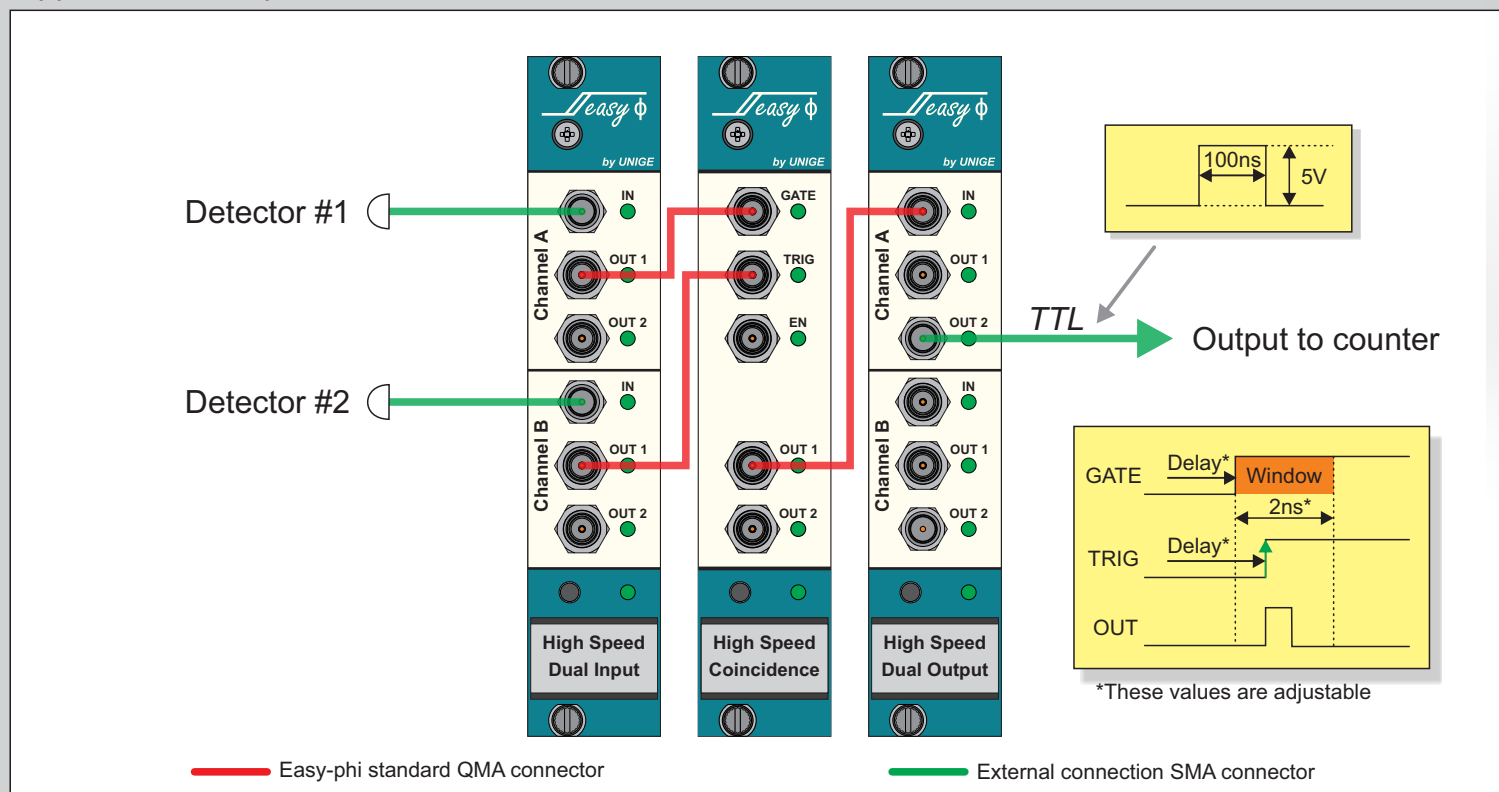


Open software
Open hardware
Open standard platform for scientific instrumentation

Easy ϕ
Your instruments

Achieve ultra-high performance... ...easily

Application Example # 3: Precision coincidence between two detectors



High speed coincidence module

www.easy-phi.ch

