

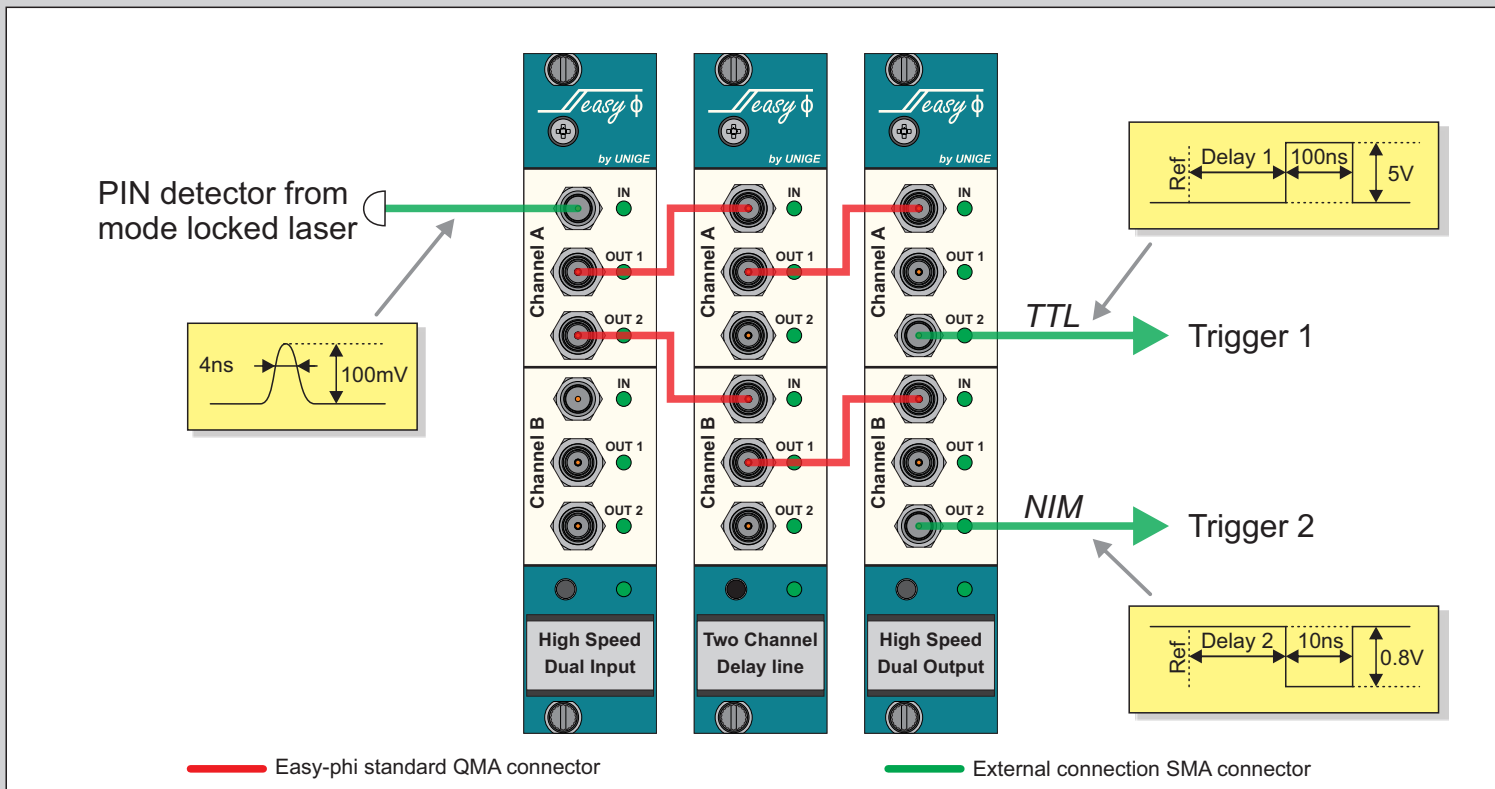


Open software
Open hardware
Open standard platform for scientific instrumentation

Easy ϕ
Your instruments

Achieve ultra-high performance... ...easily

Application Example # 2: Triggers two devices with independent delay adjustment



High speed dual delay line module

www.easy-phi.ch

